

The Portable AnCore Wedge fall protection (PAW-FP) reusable concrete anchor connector is intended to be used as a reusable anchor point for horizontal, vertical or overhead concrete applications. The anchor loop serves as the connection for fall arrest, work positioning or travel restraint. The PAW-FP reusable concrete anchor connector can also be incorporated into a rescue system.

The PAW-FP reusable concrete anchor connector is made of a stainless steel spring-activated wedge connected to a trigger. The anchor's end termination wedges expand to secure the anchor in a ¾ in. (19 mm) hole. The aluminum trigger retracts the wedge for easy insertion into concrete substrates. Releasing the trigger deploys the wedge, anchoring the connector within the concrete.

The spring-tensioned trigger and retracting cables release the wedges to allow immediate removal and relocation to another hole.

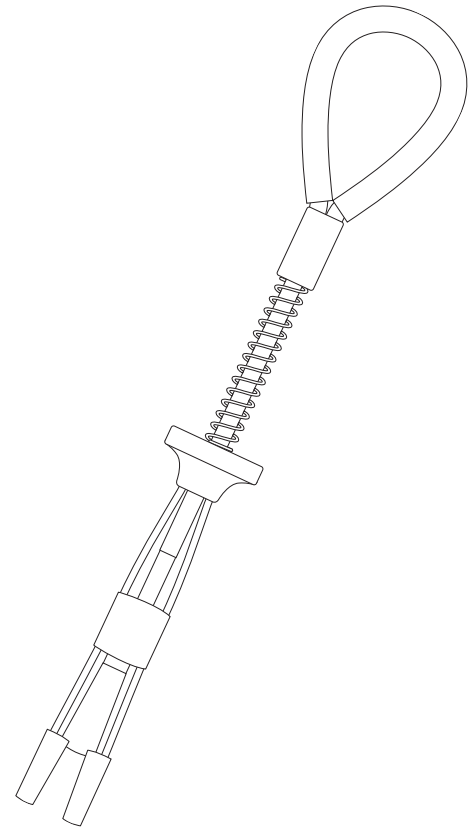
For further information, refer to the "Use and Maintenance Instructions" for the portable AnCore wedge FP.

HOLE SPECIFICATIONS

- Diameter: ¾ in. (19 mm)
- Depth: 3 in. (76 mm)

MOUNTING HOLE LOCATION

MINIMUM MOUNTING DISTANCE FROM EDGE/CORNER	CONCRETE THICKNESS	CONCRETE WIDTH
6 in. (15.3 cm)	12 in. (30.5 cm)	12 in. (30.5 cm)
8 in. (20.3 cm)	10 in. (25.4 cm)	16 in. (40.6 cm)
10 in. (25.4 cm)	8 in. (20.3 cm)	20 in. (50.8 cm)
12 in. (30.5 cm)	5 in. (12.7 cm)	24 in. (61 cm)



⚠ WARNING

Concrete must have a compressive strength of at least 3,000 PSI (20.7 MPa). Do not anchor in uncured/wet concrete.

FEATURES

- Portable
- Reusable
- Rated at 400 lbs. (181 kg)
- Minimum breaking strength of 5,000 lbs. (22.2 kN)

APPLICATIONS

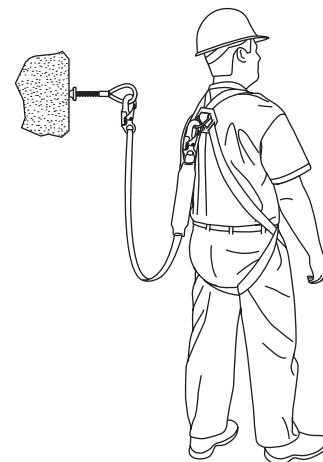
- Fall arrest anchor point

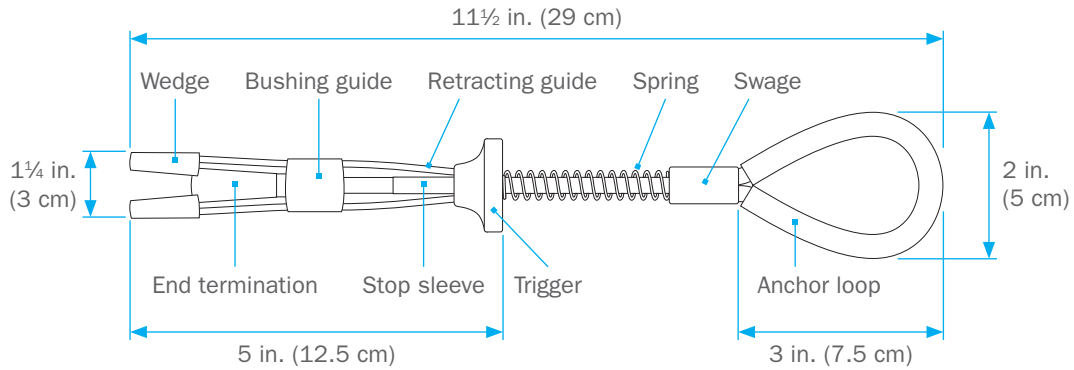
APPLICABLE STANDARDS

- ANSI Z359.1-2007
- ANSI 10.32-2004
- OSHA 1926
- CSA fall protection requirements for anchor points

AVAILABLE MODEL

- **V42PAWFP** Portable AnCore wedge fall protection reusable concrete anchor connector





PARTS	SPECIFICATIONS
MAIN CABLE	7 x 19 aircraft cable
END TERMINATION	304 stainless steel
WEDGES	304 stainless steel
BUSHING GUIDE	304 stainless steel
STOP SLEEVE	304 stainless steel
TRIGGER	6061 T-6 aluminum
SPRING	Zinc coated spring steel
SWAGE	Zinc coated copper
RETURN WIRE	1 x 19 aircraft cable
PLASTICS	Polyurethane